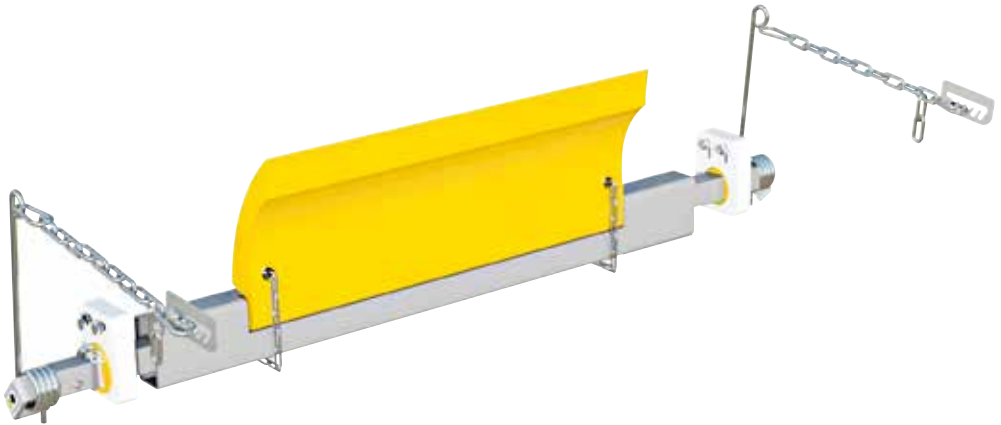


# MAXIMUS pre-scraper 8900

---

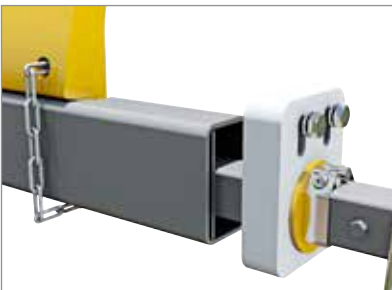


## MAXIMUS PRE-SCRAPER WITH POLYURETHANE BLADE – Our strongest scraper.

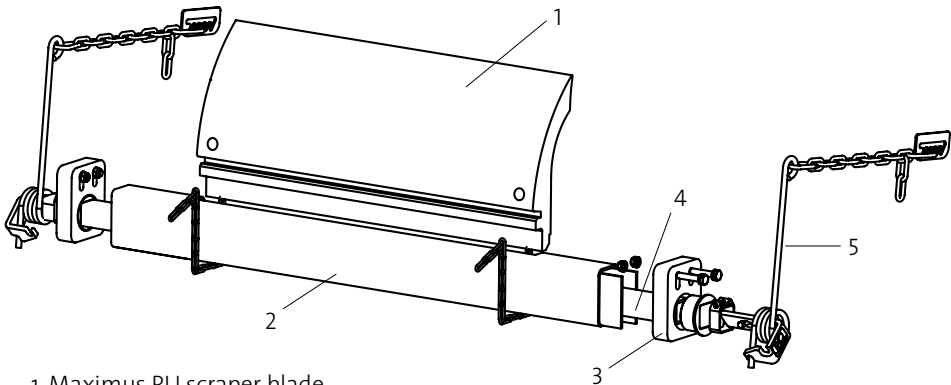
The Maximus pre-scraper 8900 is a robust pre-scraper which effectively cleans the conveyor belt in a difficult operating environment. The scraper blade consists of a spring-loaded polyurethane blade which shapes itself to the shape of the conveyor belt and the pulley. Blade replacement is very easy and is carried out entirely without tools.

Vendig's unique spring lever ensures that the correct pressure is maintained against the belt which reduces maintenance and prolongs the lifespan of the scraper and the conveyor belt. The pre-scraper shall be positioned against the drive pulley immediately below the flow of material.

Recommended for  $\varnothing$  400-1000 mm pulleys.



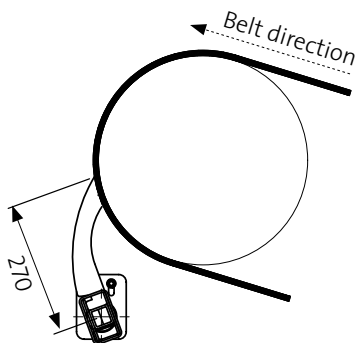
*Changing scraper blade is easy due to a uncomplicated design.*



1. Maximus PU scraper blade
2. Beam
3. Holder complete 8388 HD
4. Beam extension 8960
5. Lever arm complete 9178

All steel parts are electro-galvanized as standard. Stainless steel or powder-coated alternatives are available on request.

All scraper belt widths are supplied with dual lever arms.



ART.NO.	B-W	SCRAPER WIDTH	BEAM LENGTH	ART.NO. SPARE BLADE
<b>8906</b>	650	545	1100	8926
<b>8908</b>	800	695	1300	8928
<b>8910</b>	1000	895	1500	8930
<b>8912</b>	1200	1095	1700	8932
<b>8914</b>	1400	1295	1900	8934
<b>8916</b>	1600	1495	2100	8936

*Wider belt cleaners can be offered on request.*