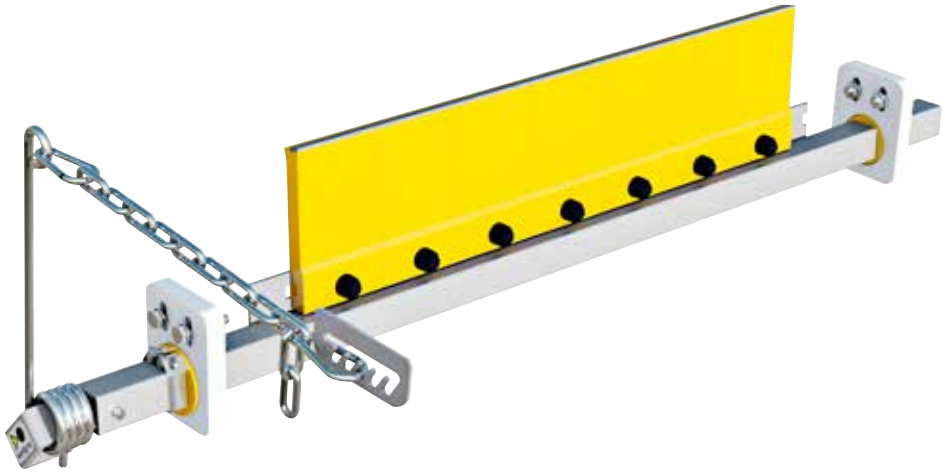


# HAMPUS pre-scraper 9100

---



## **HAMPUS PRE-SCRAPER WITH CARBIDE – Our most versatile belt cleaner.**

Hampus pre-scraper 9100 is our most versatile belt cleaner which is suitable for most working environments.

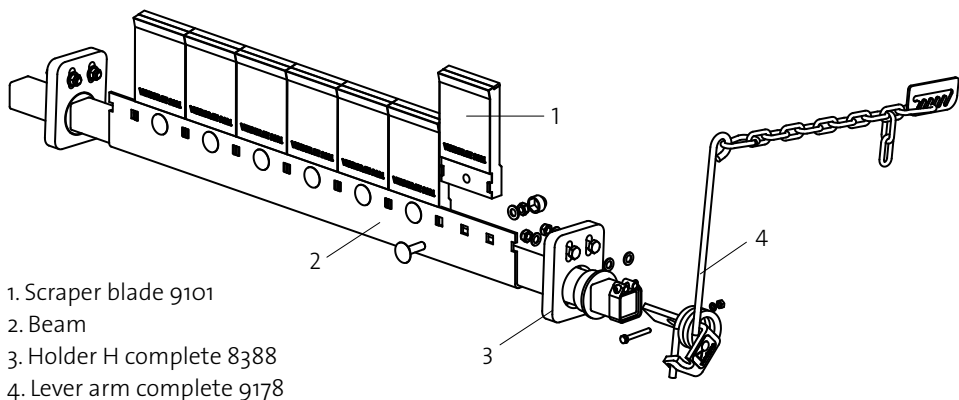
Hampus scraper has segments that can move independently of each other which give high flexibility, providing very effective cleaning. For high durability, the segments are made of polyurethane with a carbide tip. Carbide ensures reliability and a long service life.

Vendig's unique spring lever ensures that the correct pressure is maintained against the belt which reduces maintenance and prolongs the lifespan of the scraper and the conveyor belt. The pre-scraper shall be positioned against the drive pulley immediately below the flow of material.

Recommended for  $\varnothing$  220-630 mm pulleys.



*In addition to the standard segment which is 175 mm high, lower segments for a more compact installation are available.*



1. Scraper blade 9101
2. Beam
3. Holder H complete 8388
4. Lever arm complete 9178

All steel parts are electro-galvanized as standard. Stainless steel or powder-coated alternatives are available on request.

From B-W 1000 the scraper is supplied with dual lever arms.

From B-W 1600 the scraper is supplied with Holder HD.

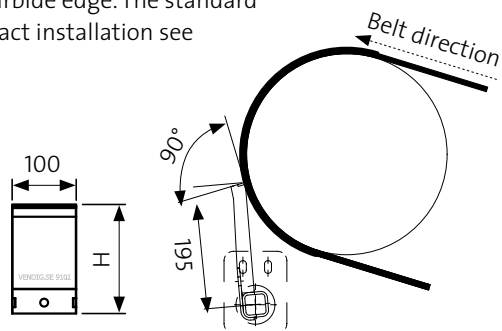
The scraper blade is made of PU with a carbide edge. The standard blade height is 175 mm . For a more compact installation see the scraper blade alternatives below.

### SCRAPER BLADES

**Art.no. 9101 H =175 (standard)**

Art.no. 9101-140 H =140

Art.no. 9101-100 H =100



STANDARD ART.NO.	B-W	QTY. SEGMENTS	SCRAPER WIDTH	BEAM LENGTH
9104	400	4	400	1100
9105	500	5	500	1200
9106	650	6	600	1300
9108	800	7	700	1500
9110	1000	9	900	1700
9112	1200	11	1100	1900
9114	1400	13	1300	2100
9116	1600	15	1500	2300
9118	1800	17	1700	2500
9120	2000	19	1900	2700

*Wider belt cleaners can be offered on request.*