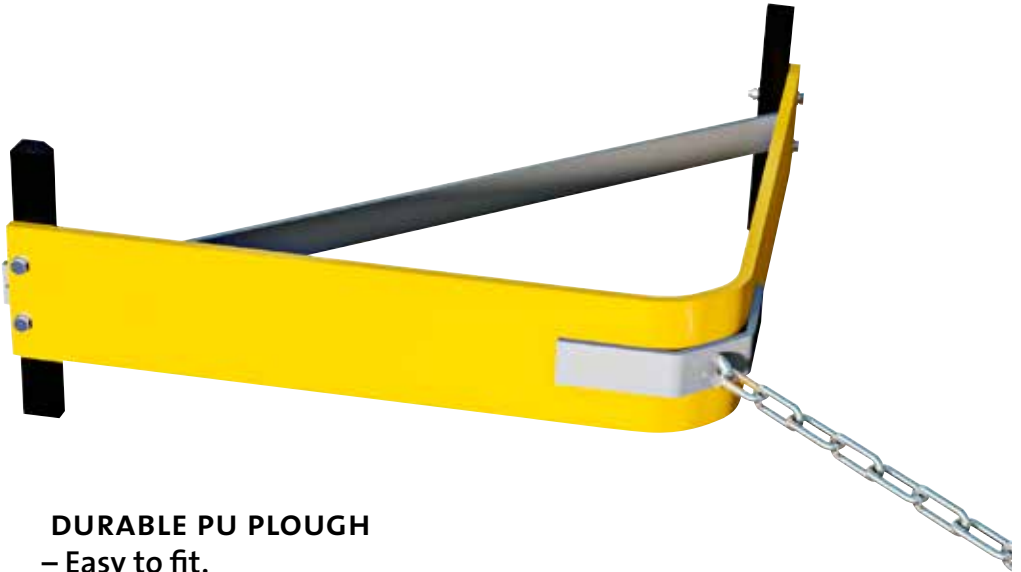


PU PLOUGH 8500



DURABLE PU PLOUGH

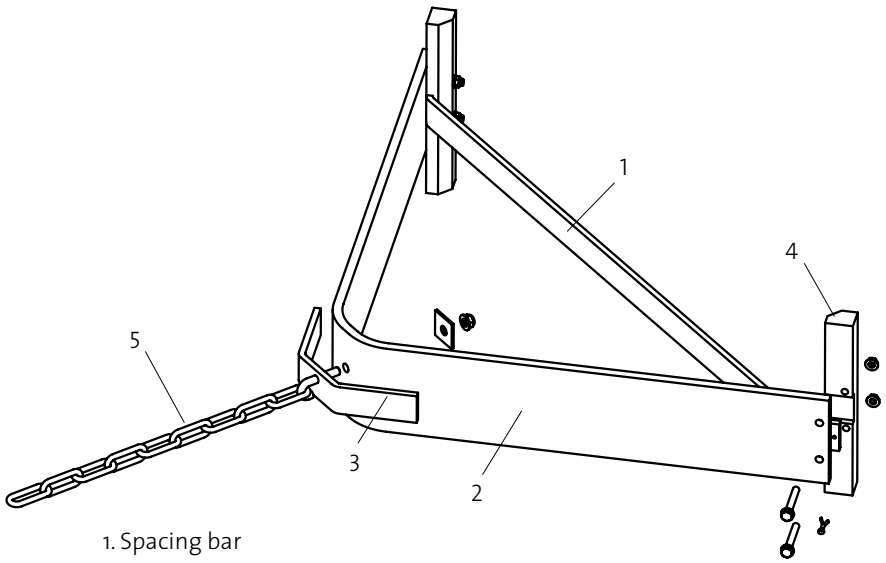
– Easy to fit.

The PU plough 8500 is attached to the conveyor system with a chain and then lies loose on the belt. The plough prevents loose material on the return run from coming between the return pulley and the belt. This reduces the risk of damage, i.e. holes developing in the conveyor belt and belt travel.

The plough is double sided and can just be flipped to wear on the other side of the blade, which doubles its life span.

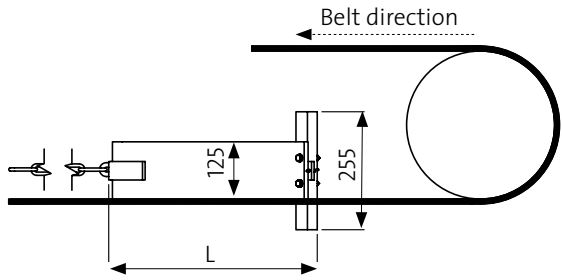


Pictures of PU plough details.



- 1. Spacing bar
- 2. Plough strip, polyurethane
- 3. Bracket 8580
- 4. Side guide 8581
- 5. Chain 8582

All steel parts are electro-galvanized as standard. Stainless steel or powder-coated alternatives are available on request.



ART.NO.	B-W	L	ART. NO. SPARE BLADE
8504	400	280	8524
8505	500	330	8525
8506	650	390	8526
8508	800	450	8528
8510	1000	540	8530
8512	1200	640	8532
8514	1400	740	8534
8516	1600	840	8536