

MINISCRAPER pre-scraper 8700



MINISCRAPER – Effective cleaning for lighter materials.

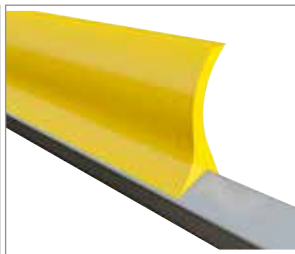
The Miniscraper 8700 is a small belt cleaner that is ideally suited for PVC belts in for example the recycling industry.

Vendig's unique spring lever ensures that the correct pressure is maintained against the belt which reduces maintenance and prolongs the lifespan of the scraper and the conveyor belt. The pre-scraper shall be positioned against the drive pulley immediately below the flow of material.

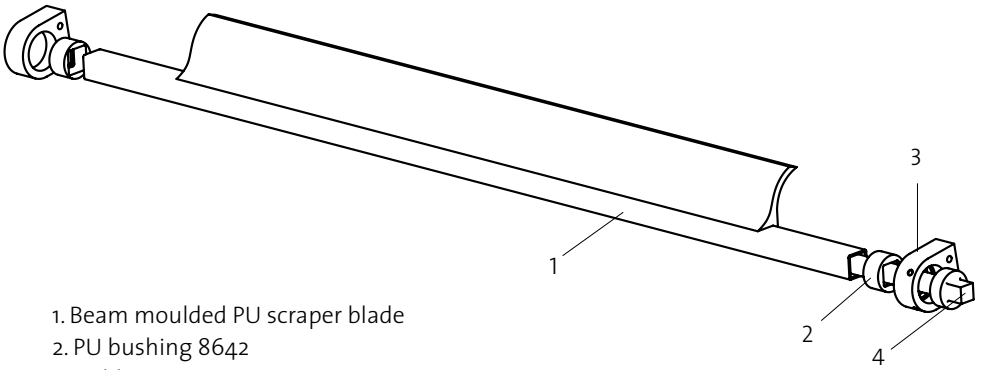
Recommended for \varnothing 100-200 mm pulleys.



The compact holder with integrated torsion spring.



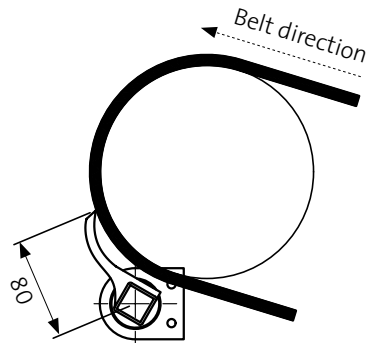
The scraper blade is integrated with the beam.



1. Beam moulded PU scraper blade
2. PU bushing 8642
3. Holder 8640 or Holder 8641
4. Torsion spring 8643

All steel parts are in stainless steel.

From B-W 600 the scraper is supplied with dual torsion springs.



ART.NO.	B-W	SCRAPER WIDTH	BEAM LENGTH
8703	300	290	540
8704	400	390	640
8705	500	490	740
8706	600	590	840
8707	700	690	940
8708	800	790	1040
8709	900	890	1140
8710	1000	990	1240
8711	1100	1090	1340
8712	1200	1190	1440

Wider belt cleaners can be offered on request.