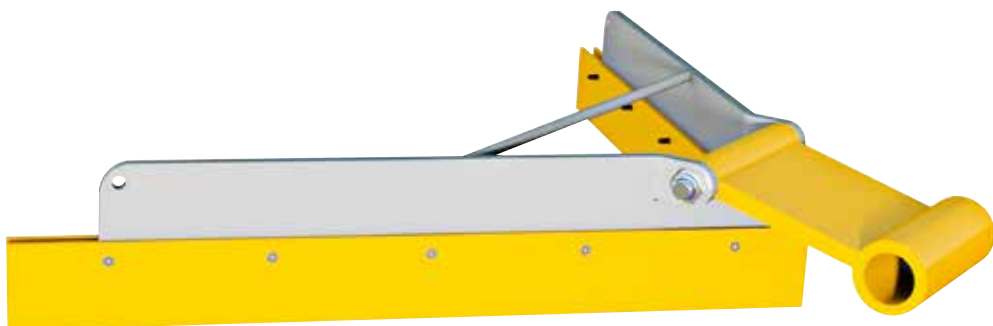


MAXI PLOUGH 8800



MAXI PLOUGH IN DURABLE POLYURETHANE – Robust and effective plough.

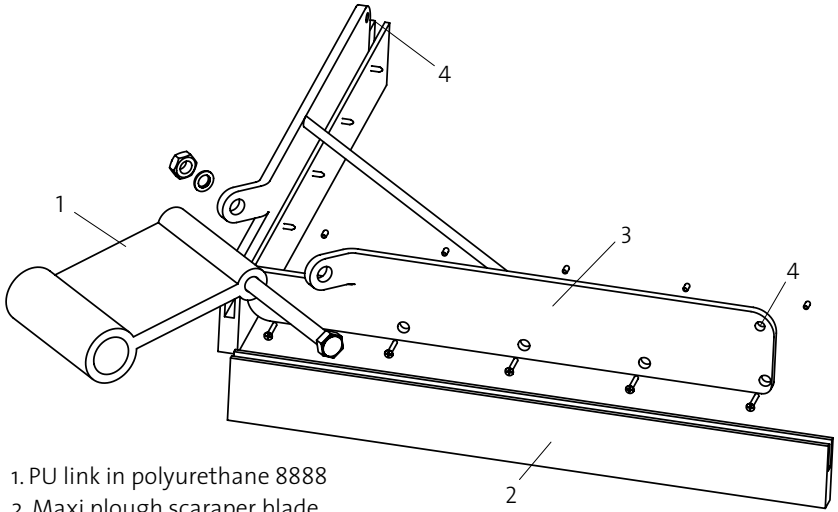
The Maxi plough 8800 is a robust and slightly heavier plough. When fitting, a tube $\varnothing 40$ mm is threaded through the PU link and is then attached to the conveyor belt's framework.

The plough prevents loose material on the return run from coming between the return pulley and the belt. This reduces the risk of damage, holes developing in the conveyor belt and belt travel.

The scraper blades of polyurethane are easily replaced and can be bought in full length 2.2m as art.no. 8842.

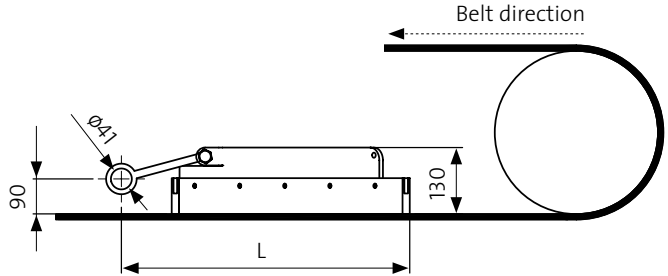


*Bracket 8891 and pipe 8890, accessories
frame for assembling of the Maxi plough.*



1. PU link in polyurethane 8888
2. Maxi plough scaraper blade
3. Electro-galvanized steel frame
4. Fixing holes for extra support and reversible operations

All steel parts are electro-galvanized as standard. Stainless steel or powder-coated alternatives are available on request.



| ART.NO. | B-W | L | ART. NO. SPARE BLADE |
|---------|------|------|----------------------|
| 8804 | 400 | 380 | 8824 |
| 8805 | 500 | 430 | 8825 |
| 8806 | 650 | 520 | 8826 |
| 8808 | 800 | 570 | 8828 |
| 8810 | 1000 | 680 | 8830 |
| 8812 | 1200 | 780 | 8832 |
| 8814 | 1400 | 865 | 8834 |
| 8816 | 1600 | 990 | 8836 |
| 8818 | 1800 | 1095 | 8838 |

Maxi plough strip total length 2.2 m art.no. 8842